

INDUSTRIAL DEHUMIDIFIER PD 130LA

- USER'S MANUAL
- ΕΓΧΕΙΡΙΔΙΟ ΧΡΗΣΗΣ



LANGUAGES

ENGLISH	3
ΕΛΛΗΝΙΚΑ.....	19

TABLE OF CONTENTS

1. SAFETY & WARNING INSTRUCTIONS.....	4
2. GENERAL INFORMATION	5
3. DEHUMIDIFIER FUNCTIONS.....	5
4. STEPS BEFORE USE	6
5. PRODUCT FEATURES.....	8
6. GETTING TO KNOW YOUR DEHUMIDIFIER.....	9
7. CONTROL PANEL • INDICATORS.....	10
8. MAINTENANCE & CLEANING.....	13
9. MACHINE STORAGE.....	14
10. FREQUENTLY ASKED QUESTIONS & TROUBLESHOOTING.....	15
11. WARRANTY TERMS	16

Dear Consumer,

Congratulations on your choice! Puredry's PD130LA industrial dehumidifier is distinguished among its class, by its excellent performance, quiet operation and double air inlets, which guarantee efficiency regarding humidity issues. Please refer to this manual, to obtain full efficiency of the dehumidifier, through the guidelines included in the following pages and make savings via clever use of this device.

1. SAFETY & WARNING INSTRUCTIONS

SECURITY INFORMATIONS

CAUTION

This dehumidifier should not be used in areas where are:

- Explosives
- Hostile atmosphere
- With high concentration of solvents - Extremely high dust ratio

Keep away from children: Do not let children play with or around this unit, which could lead to injury. Be sure the unit is inaccessible to children.

Hold Unit Grounded : Always connect the appliance to a grounded socket. A grounded plug is an essential safety feature that helps reduce the risk of electric shock or fire.

Protect the power cord from DANGER: Never use a unit with a damaged power cord as this may cause electric shock or fire. If the power cord is damaged, it must be replaced with a cable of the same type and rated voltage.

Cable Extension: The walkways must be grounded and able to power the unit without any problems.

Handle with Care: Do not drop, throw or crash the dehumidifier. Rough treatment can damage the components or wiring and create a hazardous condition.

Fixing on a stable surface: Always use the unit on a firm, flat surface, for example, the floor or a strong base, so that the dehumidifier can not fall and cause injury.

Keep it away from water: Never use the appliance near standing water, as this may create a risk of injury from electric shock. Do not store or use it outdoors. If the electrical wiring or accessories are wet, dry thoroughly before using the appliance. If any doubt, do not use the dehumidifier and consult a qualified electrician or contact 2521103265 to speak with an approved engineer.

Keep the air inlets Clean: Do not block or prevent the air intakes by placing the dehumidifier very close to curtains and walls. This may cause the unit to overheat and cause a fire or electric shock hazard.

Keep the air filter clean: Always use a clean air filter. Do not allow any material to clog it, as this may cause overheating in the dehumidifier. Never use it without a filter. Always check and, if necessary, clean the filter before moving the dehumidifier to the work area. Do not allow oil, grease or other contaminants to come in contact with the dehumidifier.

Keep electrical equipment dry: Never leave water in electrical components of the dehumidifier. If these areas are wet for any reason, dry them well before using the dehumidifier. In case of doubt, do not use the dehumidifier and consult a qualified electrician or call 2521103265 at day4energy.gr to speak with an approved engineer.

You should make sure that the user knows the operating instructions of the machine.

2. GENERAL INFORMATION

Before operating the dehumidifier for the first time, the instruction manual should be carefully studied. After receiving the unit, you should check your dehumidifier for any damage during transport. In the event of a breakdown, you should immediately notify the sender.

Transport damage must be declared after unpacking the equipment. You should immediately contact your reseller or qualified reseller.

Keep the dehumidifier package in a safe place so that it can safely ship it if service is required. To save space, you can simply cut off the adhesive tape using a knife and fold the cardboard box.



Power off the dehumidifier before removing the plug.

3. DEHUMIDIFIER FUNCTIONS

This dehumidifier is designed to reduce moisture from the air in a building or part of a building. The purpose is to prevent damage from moisture, and to dry wet materials such as carpet, floors, walls, furniture, contents, timber, and building materials. This dehumidifier can prevent formation of condensation, reduce air humidity and keep the desired relative humidity value constant.

The time it takes for the dehumidifier to dry a room and reach the desired relative humidity depends on the environmental conditions prevailing in the room. For example, the number of changes of air to the outside, to humidity and room temperature sources can either accelerate or slow the process of dehumidification. The principle of operation of the dehumidifier, according to the principle of condensation, is achieved with heat recovery.

The fan gets the humid air from the room through a filter and leads it to the evaporator. Here the air is cooled below the dew point, so that the air of the air of water forms a condensate on the coils that flow into the water collection vessel. After cooling and drying, the air is again heated by a condenser. By recycling the room air through the dehumidifier again and again the relative humidity rate of the air is reduced.

4. STEPS BEFORE USE

User's manual



INDUSTRIAL DEHUMIDIFIER PD 50L

- USER'S MANUAL
- ΕΓΧΕΙΡΙΔΙΟ ΧΡΗΣΗΣ



ΕΓΓΛΩ | ΕΛΛΗΝΙΚΑ



Drain hose



Dehumidifier with compressor

Υποβολή Εγγύησης

- Επισκεφθείτε τη σελίδα μας και ενεργοποιήστε την εγγύησή σας μέσω του παρακάτω link:

<https://www.purebyhellas.com/egguses>

- Συμπληρώστε όλα τα πεδία όπως φαίνονται παρακάτω

Καθώς
το προϊόν είναι εγγυημένο από τον κατασκευαστή,
για να ενεργοποιήσετε την εγγύησή σας, παρακαλούμε συμπληρώστε τα παρακάτω πεδία:

Όνομα: Επώνυμο:

Διεύθυνση: Τηλέφωνο:

Καταγραφή: Ηλεκτρονικό ταχυδρομείο:

Αριθμός μονάδας: Ημερομηνία αγοράς:

Παρακαλούμε σημειώστε ότι η εγγύηση είναι έγκυρη μόνο για προϊόντα που αγοράζονται από τον κατασκευαστή.

Στοιχεία εγκατάστασης:

Μοντέλο μονάδας: Αριθμός μονάδας:

Παρακαλούμε σημειώστε ότι η εγγύηση είναι έγκυρη μόνο για προϊόντα που αγοράζονται από τον κατασκευαστή.

Στοιχεία εγκατάστασης:

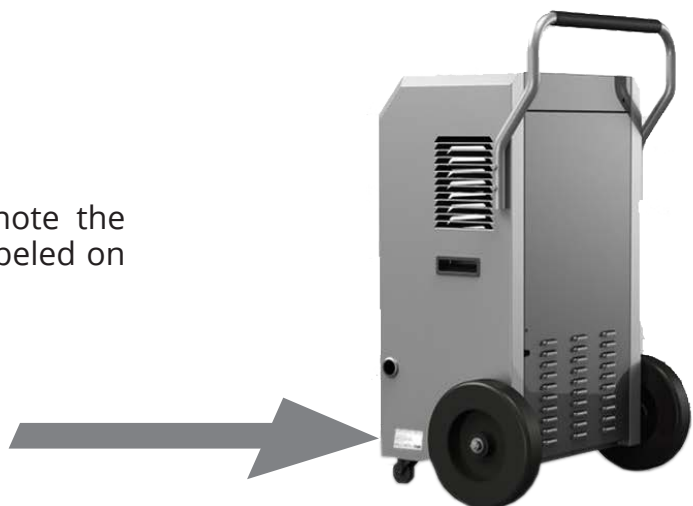
Όνομα: Διεύθυνση:

Τηλέφωνο: Ηλεκτρονικό ταχυδρομείο:

Μόλις υποβάλω την αίτηση, θα στείλω στο email μου μήνυμα επιβεβαίωσης.

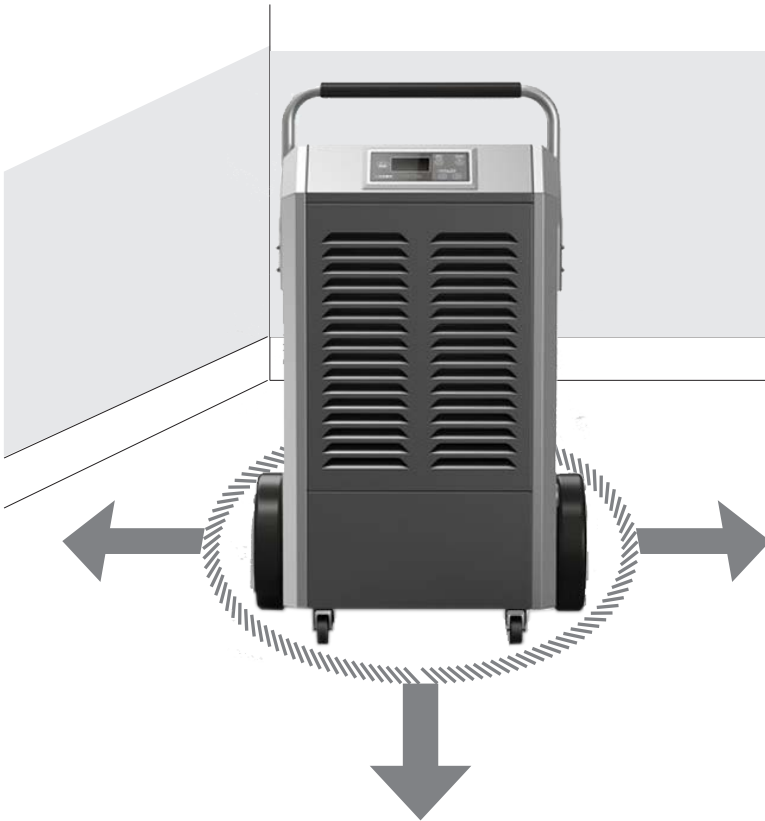
Please refer to the electronic warranty instructions, in the last page (English section) of this manual.

For warranty purposes, please note the SN (serial number). The SN is labeled on side of the device.





Installation tips



1) Do not block or restrict the airflow around the unit. Make sure the air inlet exhaust grills are not obstructed. Allow 20cm of clearance around the unit and 40cm above.

2) Place the unit in an area where the temperature levels will not fall below 5°C (41°F). There is a possibility the coils will collect frost at temperatures that are under 5°C (41°F), which may result in low performance.

For installation and transport, the following instructions must be followed:

⇒ The air inlet and the air outlet must not be covered while the dehumidifier is in operation.

⇒ Before any movement, the dehumidifier must be turned off.

⇒ Empty the water collection tank. The dehumidifier must always be moved vertically.

⇒ If the dehumidifier is in a horizontal position for more than 10 minutes, you should allow it to stand upright for at least 30 minutes before operation. This allows the oil to drain back to the compressor.

For transportation, the dehumidifier should be secured on a flat base to prevent accidents.

5. PRODUCT FEATURES

MODEL		PD 130LA
OPERATING TEMPERATURE		+5 °C / +35°C
HUMIDITY LEVELS		20% - 90%
DEFROSTING SYSTEM		Hot gas
VOLTAGE		240 V-50 Hz
CONSUMPTION 30°C - 80%		1.79 kW
FREON		R410a/800g
DAILY PERFORMAN CE (L/24H)	20°C - 60%	68
	27°C - 80%	92
	30°C - 80%	130
DIMENSIONS	W x D x H [mm]	672 x 533 x 988
WEIGHT		73kg
TIMER		✓
ELECTRONIC BOARD		✓

ELECTRICAL CONNECTIONS.

Dehumidifier is designed to operate in a 230V ~ 50Hz electrical installation. Make sure that electrical outlets are connected to the ground and that all safety precautions have been taken.

COMPRESSOR PROTECTION

The first time the dehumidifier starts, the compressor starts immediately. After the first shutdown of the unit, the compressor will require at least 3 minutes of cessation due to its self-protecting system to avoid frequent recalls.

AUTO RESTART

The system has auto memory. When all the mode setting has been finished, if there is sudden power cut during operation, or the power jack slips out, the system may store the current status before the power is cut and enter the operation mode before power cut automatically after power is supplied.

OPERATING CONDITIONS

This dehumidifier can operate within an ambient temperature range of 3 to + 35 ° C and a relative humidity of 35% to 90%. It is suitable for application on construction sites, residential buildings, museums, archives, garages and warehouses.

6. GETTING TO KNOW YOUR DEHUMIDIFIER



Casters
This unit has preinstalled casters, positioned on the bottom four corners of the unit.



Control panel

Please make sure to remove the protective zelatine from the top part of the screen



Handle

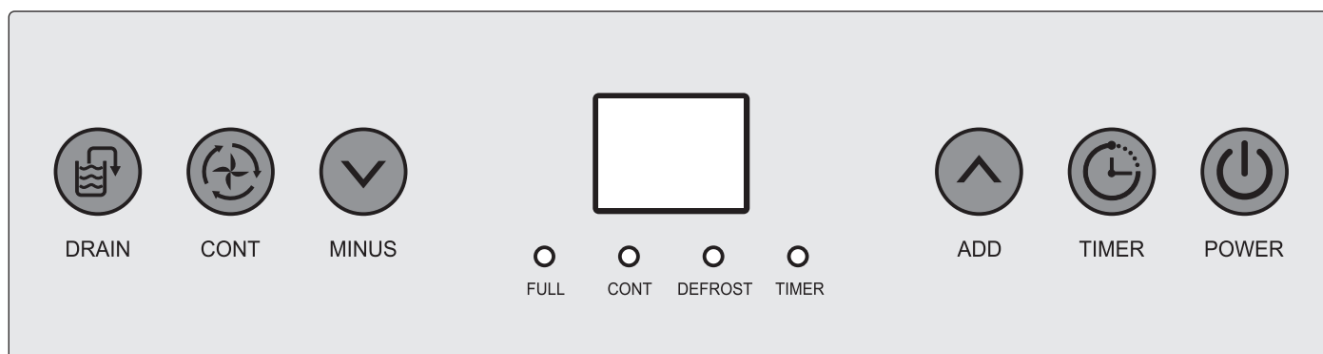
Air Outlet

Air intake grill

Drain hose outlet



7. CONTROL PANEL • INDICATORS



Button Function



Press this button while on electric, screen light on, machine automatically goes to continuous mode, display screen shows environmental humidity, compressor on after the fan run for 3 seconds; press this button again, compressor stops, display screen shows "- -", machine goes into standby mode, the fan will run for another minute and stop.



Press this button while machine is on electric, until button light goes on, press "MINUS" "ADD" to set the time to start the machine, when the countdown is over, the fan and compressor turn on. Press this button while machine is running, until the button light goes on, press "MINUS" "ADD" to set the time to stop the machine, when the countdown is over, the fan and compressor will shut off. Press this button for 3 seconds to show current temperature. After 10 seconds, the display will return to show current humidity.



The humidity can be increased by increments of 5%RH during normal mode. Hold this button for 1 second to increase the humidity continuously.



The humidity can be decreased by increments of 5%RH during normal mode. Hold this button for 1 second to decrease the humidity continuously.

Note:

1)The default humidity is 50%RH, to increase and decrease as follow:

20%-25%-30%-35%-40%45%-50%-55%-60%-65%-70%-75%-80%-85%-90%

2)Environmental humidity and machine set humidity will decide the status of the compressor and fans follow:

Environmental humidity \geq machine set humidity+3%, compressor and fan start running. Environmental humidity $<$ machine set humidity+3%, compressor and fan stop running.



CONT

During continuous mode, humidity setting is unavailable. Continuous mode light turns on and the screen will display the current humidity. Press this button to switch to normal mode where the humidity setting will be available.



DRAIN

Press this button, the water pump will start the forced drainage system with the light on. After the system works for 30 seconds, the water pump will stop work with the light off.

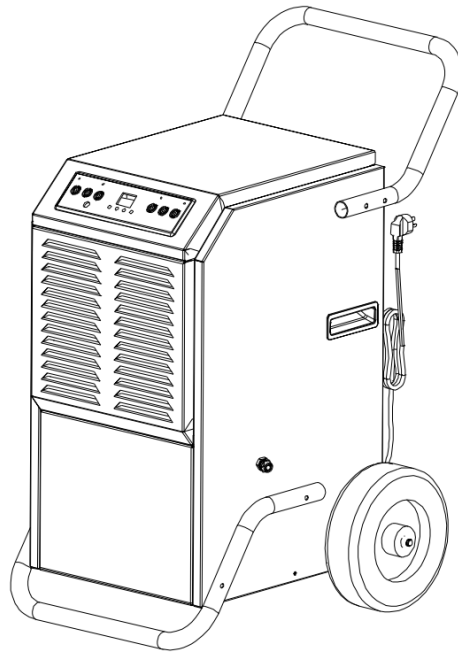
STARTING THE DEVICE

1. Plug in the machine and you will hear a "beep" sound.
2. Press the "Power" button once and the LCD will open. When all the indications are normal, the room humidity will appear on the screen.
3. Moisture settings. Press the "+" and "-" buttons to select the desired humidity of the space. When the moisture selection is at least 3% more than room humidity, the dehumidifier starts its operation. When the moisture selection is at least 3% less than room humidity, the dehumidifier stops operating.
4. When the relative humidity levels we select are less than 30% RH the dehumidifier starts continuous dehumidification.
5. Setting a preset time: Press the "Time" button and the "hour" button on the control panel will light up, press "+" and "-" to set the operating time.
6. Disable: Press the "Power" button as the machine runs, the dehumidifier will shut down and all the lights will go off.

EXPORTS OF CONCENTRATIONS

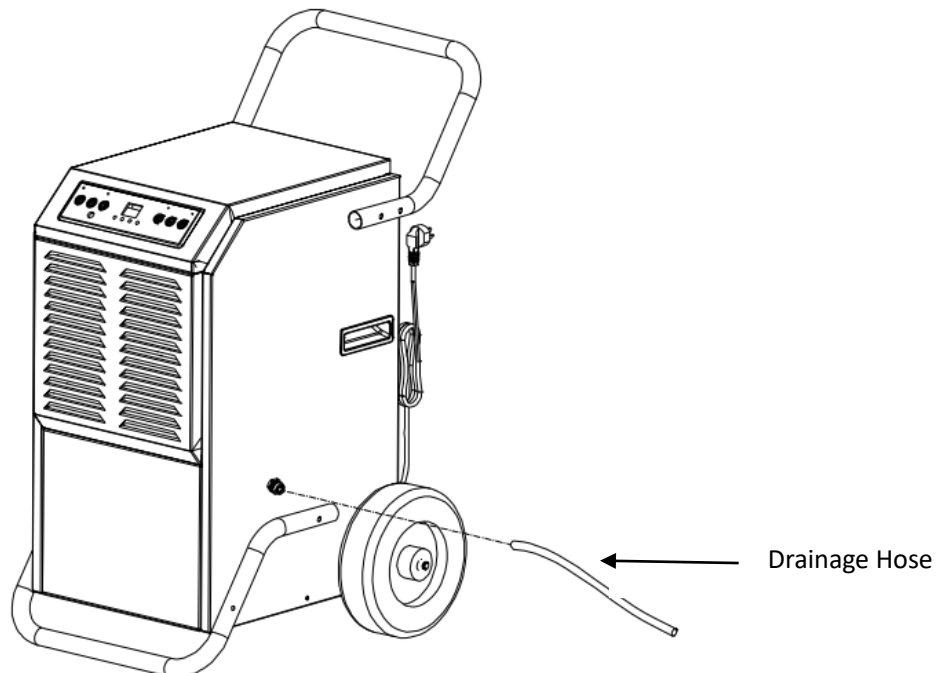
DRAINAGE INSTALLATION

- Install the included drain pipe to the draining nozzle on the machine and direct the pipe to the desired area before operate the machine.
- The pump has the ability to remove sewage at a height of up to 5m and with a horizontal length of up to 30m.



Continuous drainage

1. Connect the included water hose to the pipe on the side of the dehumidifier. Lead the other end to a drain. The dehumidifier will automatically drain the water when needed.
2. If the drain is located above the dehumidifier, the maximum capacity of the water pump is 5 m. If the water is drained downwards, there is no limit for the distance. The width of the water hose is 12 mm.
3. Press and hold DRAIN button to drain the water manually. The water pump will work for 20 seconds before stopping. Repeat until all water is drained. Drain the water manually before storing or moving the unit.



WATER TANK

When the water tank is full, the water tank light goes on red and alarm goes on after 5 seconds. Buzzer beeps 15 times and the compressor and fan shut off. After the water tank is emptied, the machine will automatically switch to the previous mode while the compressor will be in 3 minutes of self-protect. Alarm will stop in 3 seconds after the water tank was emptied and put back, fan starts, and compressor will start in 3 minutes.

DEFROST FUNCTION

1. The compressor and fan will shut off when the environmental temperature goes below 5°C or above 38°C.
2. Defrost requirement: Compressor running for 30 minutes, temperature sensor sense the temperature -1°C, (last for 10 seconds), compressor stops, defrost starts, fan continues, defrost light turns on, when the pipe temperature goes to 5°C or the defrost last for 15 minutes, defrost stops.

Note: During defrost, light won't be off until the defrosting is over.

8. MAINTENANCE & CLEANING

Always turn off the device and disconnect the cable before performing maintenance procedures. All service procedures below are to be performed with the unit in the socket. Perform before each use or as required.

Check the electrical system

Check the electrical cable for damage at regular intervals.

Protection from dust

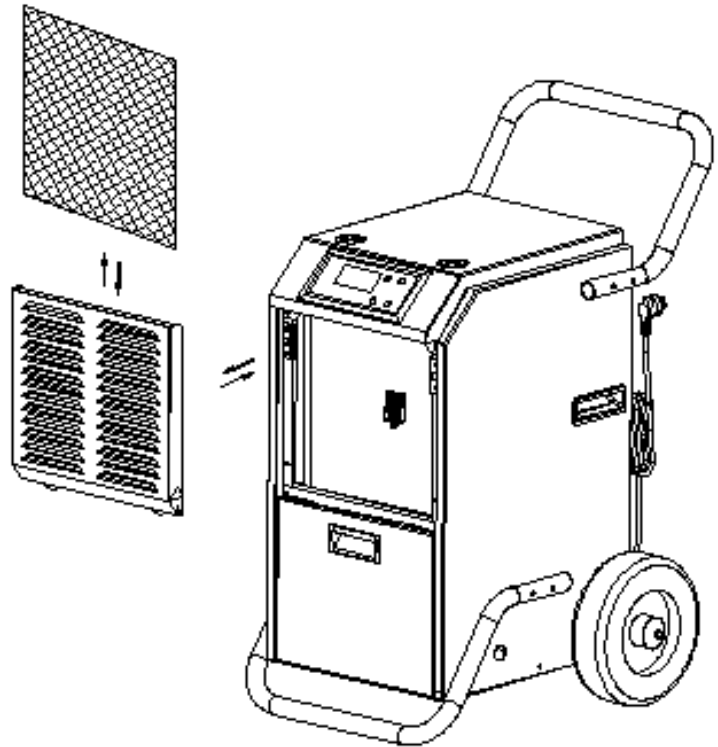
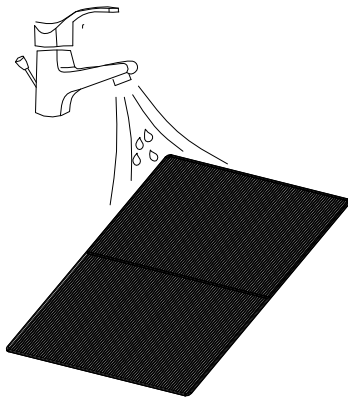
Keep dust away from surfaces and areas when dry.

Air filter maintenance

You should frequently maintain the air filter every 5 days. Open the top front cover by pulling it upwards. Pull the filter upwards.

Air filter cleaning

1. Remove the filter
2. Clear the filter



Do not use the dehumidifier without the air filter

Clean the filter by removing the dust with a vacuum cleaner, wash the filter with plenty of water and dry thoroughly before putting it in place.

9. MACHINE STORAGE

If you don't use the unit for an extended period of time, please store it per the following steps:

(1) Clean the filter mesh.

(2) ATTENTION: The evaporator inside the machine has to be dried out before the unit is packed to

avoid component damage and molds. Unplug the unit and place it in a dry open area for days to dry

it out. Another way to dry the unit is to set the humidity point more than 2% higher than the ambient humidity to force the fan to dry the evaporator for a couple of hours.

(3) Store the power cord pocket at the back of unit.

(4) Store in a clean, dry environment.

10. FREQUENTLY ASKED QUESTIONS & TROUBLESHOOTING

Problem	Cause	Solution
The unit does not work	There is no voltage in the unit	Plug the plug into the wall socket
	The on switch is off	Turn the switch to the on position
	The water tank is full	Empty the water tank container
The Unit runs but does not dehumidify	Ambient temperature is lower than + 5 ° C	Under these conditions the dehumidifier becomes ineffective. It is recommended to deactivate the dehumidifier
	Ambient temperature exceeds 35 ° C	The compressor is overloaded and switches off automatically. It is recommended to deactivate the dehumidifier.
	Ambient air humidity is lower than 50%	Under these conditions the dehumidifier becomes ineffective. It is recommended to deactivate the dehumidifier
	The air filter is very dirty	Clear the air filter
	It is not enough time to dry out	Leave more time to dry
The compressor does not start	Thermal protection is defective	Contact Puredry Hellas
	The capacitor is defective	Contact Puredry Hellas
The fan is off	The dehumidifier performs a defrost cycle	The dehumidifier will automatically turn on the fan after a few minutes. If not, the damage must be repaired by Puredry Hellas.
	The fan does not work	Contact Puredry Hellas
The unit is constantly defrosted and there is an ice block in the heat sink	Defect control system	Contact Puredry Hellas
	The room temperature is below + 5°C	The unit is designed to work above + 5 ° C.
	Faulty bypass relay valve	Contact Puredry Hellas
The unit does not thaw	Faulty temperature sensor	Contact Puredry Hellas
	Defect control system	Contact Puredry Hellas
	Faulty bypass relay valve	Contact Puredry Hellas
Timer function is not working	It is not enabled	Contact Puredry Hellas
	Water tank is full	The water collection tank must be emptied and re-installed.
	Defective time gauge	Contact Puredry Hellas

PROBLEM	
E1	Temperature sensor
E2	Humidity sensor
CL	When the room temp < 5°C, it will show "CL", machine stops running.
CH	When the room temp > 38°C, it will show "CH", machine stops running.
LO	When the room humidity < 20%RH, it will show "LO", machine stops running.
HI	When the room humidity ≥ 95%RH, it will show "HI", machine is working normally.

Puredry Hellas EE

Phone service: 25211 03265, 25210 55992, 69816 65010

Mail: info@puredryhellas.com, service@puredryhellas.com

11. WARRANTY TERMS

Covers all products purchased by Puredry Hellas EU or any of its official resellers in Greece.

The warranty covers the repair or replacement (spare parts and labor) of components that the Manufacturer or its Dealer has identified as defective, specifying that this repair or replacement may be done with new spare parts, new parts or remanufactured parts after assessment of the Manufacturer. Shipping costs are not covered by the warranty.

The warranty for the duration of its validity covers the cost of supply of any defective spare part as well as the cost of restoration work of the product. It is clarified that the warranty does not extend in any way to the obligation to replace the device or refund.

For the correct, efficient and safe operation of electrical appliances, it is recommended as a good practice to clean and maintain them at regular intervals depending on their use by specialized and certified technicians.

Does not cover:

Accidental damage, sabotage, defects caused by normal wear and tear, including wear of consumable parts, ie parts that require periodic replacement during normal use of the system.

- Fractures, tears, scratches, dents, scratches or discolored covers or plastic parts, broken plastic parts on the doors or other aesthetic damage. Damage caused by use in combination with another product.
- Use of the System other than that provided for, including, indicatively, the non-use of the System according to the accompanying user manual.
- Damage caused by accident, abuse, misuse, contact with liquid, fire, earthquake, incorrect or inadequate maintenance or calibration, negligence or other external causes.
- Damage caused by connection to a voltage other than that indicated on the nameplate of the appliance and / or to an unplugged socket.
- Shipping costs arising from the transfer of the product to and from the customer at the premises of Puredry or its authorized partner.
- Damage and / or damage to the environment caused by smoke, dust, dirt, soot or other external factors Damage resulting from incorrect transport or packaging when the System is returned to the Dealership or an authorized center.

- Damages caused by service or repairs or other modifications of the System that were not performed by the Delegation or an authorized center.

- Damage caused by repairs or parts replacement that should not be done by the customer, which you have done.

Puredry reserves the right to determine the manner, place and time of repair of the faults at its absolute discretion, depending on the specific characteristics of each case. The means and costs of transportation to and from Puredry technical support points, as well as the possible insurance of the products, are the choice and responsibility of the customer. The products travel under the responsibility of the customer, the Puredry Hellas EE Company does not bear any responsibility for any damages caused during transport.

Products that remain repaired in the service of the stores beyond the fifteen (15) calendar days from the notification of the customer, in order for him to receive them, will be charged with storage costs.

Activate your Warranty

- Visit our web site and activate your warranty via the below link .

<https://www.puredryhellas.com/egguseis>

- Fill all the fields as shown below

Warranty

The fields with the * symbol are obligingly

To activate the warranty please fulfill the following form:

Owner's details

Name*

Surname*

Address:*

Vat Number*

Email *

Phone number*

We will use your email to send you newsletter, in order to keep you informed about any new products, discount etc.

Product details

Choose Product:*

Serial Number*

Date*

Invoice number*

By clicking here you accept the term of warranty of the product*

Traders Informations

Company name*

ID*

Submit

- Once the warranty submission has been completed a confirmation message will be sent to your email

ΠΕΡΙΕΧΟΜΕΝΑ

1. ΟΔΗΓΙΕΣ ΑΣΦΑΛΕΙΑΣ	20
2. ΓΕΝΙΚΕΣ ΟΔΗΓΙΕΣ	21
3. ΑΡΧΕΣ ΛΕΙΤΟΥΡΓΙΑΣ ΑΦΥΓΡΑΝΤΗΡΑ	21
4. ΣΥΜΒΟΥΛΕΣ ΠΡΙΝ ΤΗ ΧΡΗΣΗ	22
5. ΧΑΡΑΚΤΗΡΙΣΤΙΚΑ ΑΦΥΓΡΑΝΤΗΡΑ.....	24
6. ΓΝΩΡΙΖΟΝΤΑΣ ΤΟΝ ΑΦΥΓΡΑΝΤΗΡΑ	25
7. ΗΛΕΚΤΡΟΝΙΚΟΣ ΠΙΝΑΚΑΣ ΕΛΕΓΧΟΥ.....	26
8. ΣΥΝΤΗΡΗΣΗ ΚΑΙ ΦΡΟΝΤΙΔΑ.....	30
9. ΑΝΤΙΜΕΤΩΠΙΣΗ ΠΡΟΒΛΗΜΑΤΩΝ & ΣΥΧΝΑ ΕΡΩΤΗΜΑΤΑ.....	31
10. ΟΡΟΙ ΕΓΓΥΗΣΗΣ	32

Αγαπητέ καταναλωτή,

Συγχαρητήρια για την επιλογή σας!

Ο βιομηχανικός αφυγραντήρας Puredry PD130LA ξεχωρίζει για τις άριστες αποδόσεις του, την αθόρυβη λειτουργία του, εξασφαλίζοντας άριστες επιδόσεις και δραστική καταπολέμηση της υγρασίας. Παρακαλούμε διαβάστε προσεκτικά το εγχειρίδιο χρήσης και γνωρίστε τον αφυγραντήρα σας μέσα από αναλυτικές οδηγίες, ώστε να εξαλείψετε την υγρασία αποτελεσματικά με τον πιο έξυπνο και οικονομικό τρόπο.

1. ΟΔΗΓΙΕΣ ΑΣΦΑΛΕΙΑΣ

ΠΛΗΡΟΦΟΡΙΕΣ ΑΣΦΑΛΕΙΑΣ

ΠΡΟΣΟΧΗ

Αυτός ο αφυγραντήρας δεν πρέπει να χρησιμοποιείται σε χώρους όπου:

- Υπάρχουν εκρηκτικά
- Επιθετική ατμόσφαιρα
- Με υψηλή συγκέντρωση διαλυτών
- Με εξαιρετικά υψηλά επίπεδα σκόνης

Κρατήστε τα παιδιά μακριά: Μην αφήνετε τα παιδιά να παίζουν με ή γύρω από τον αφυγραντήρα, διότι υπάρχει κίνδυνος τραυματισμού. Σιγουρευτείτε ότι η μονάδα είναι απρόσιτη για τα παιδιά.

Κρατήστε την Μονάδα γειωμένη: Πάντοτε να συνδέετε τη συσκευή σε μια πρίζα με γείωση. Ένα φως με γείωση είναι ένα βασικό χαρακτηριστικό ασφαλείας που βοηθά στη μείωση του κινδύνου ηλεκτροπληξίας ή πυρκαγιάς.

Προστατέψτε το καλώδιο τροφοδοσίας: Ποτέ μη χρησιμοποιείτε μια μονάδα με ένα κατεστραμμένο καλώδιο ρεύματος, καθώς αυτό μπορεί να προκαλέσει ηλεκτροπληξία ή πυρκαγιά. Εάν το καλώδιο τροφοδοσίας έχει υποστεί ζημιά, πρέπει να αντικατασταθεί με ένα καλώδιο του ίδιου τύπου και ονομαστικής τάσης και έντασης.

Επέκταση Καλωδίου: Οι μπαλαντέζες πρέπει να έχουν γείωση και να είναι σε θέση να τροφοδοτήσουν την μονάδα χωρίς κανένα πρόβλημα.

Να είστε προσεκτικοί με το προϊόν: Σε καμία περίπτωση μην ρίξετε κάτω τον αφυγραντήρα. Βίαιες κινήσεις μπορεί να επιφέρουν βλάβες και δυσλειτουργίες στο προϊόν.

Τοποθέτηση σε σταθερή επιφάνεια: Πάντα να χρησιμοποιείτε το προϊόν σε μια σταθερή, επίπεδη επιφάνεια, για παράδειγμα, λείο πάτωμα ή μια ισχυρή βάση, έτσι ώστε ο αφυγραντήρας να μη μπορεί να πέσει και να χτυπηθεί.

Κρατήστε το μακριά από το νερό: Ποτέ μη χρησιμοποιείτε τη συσκευή κοντά σε λιμνάζοντα ύδατα, καθώς αυτό μπορεί να δημιουργήσει κίνδυνο ηλεκτροπληξίας. Μη τον αποθηκεύετε και μην το χρησιμοποιείτε σε εξωτερικούς χώρους. Αν τα ηλεκτρικά καλώδια ή εξαρτήματα βραχούν, στεγνώστε τα προσεκτικά πριν χρησιμοποιήσετε τη συσκευή. Σε περίπτωση αμφιβολίας, μη χρησιμοποιείτε τον αφυγραντήρα και συμβουλευτείτε έναν εξειδικευμένο ηλεκτρολόγο ή επικοινωνήστε στο 2521103265 έτσι ώστε να μιλήσετε με εγκεκριμένο μηχανικό.

Κρατήστε τις εισόδους αέρα Καθαρές: Μην φράξετε ή εμποδίσετε τις εισόδους αέρα με την τοποθέτηση του αφυγραντήρα πολύ κοντά σε κουρτίνες και τοίχους. Αυτό μπορεί να προκαλέσει υπερθέρμανση στη μονάδα.

Κρατήστε το φίλτρο αέρα Καθαρό: Πάντα το φίλτρο αέρα θα πρέπει να είναι καθαρό. Μην αφήνετε οποιοδήποτε υλικό όπως σκόνη και σωματίδια πάνω στο φίλτρο, καθώς αυτό μπορεί να προκαλέσει υπερθέρμανση στον αφυγραντήρα. Ποτέ μη τον θέσετε σε λειτουργία χωρίς φίλτρο. Καλό θα ήταν να καθαρίζετε το φίλτρο κάθε 5 μέρες. Μην αφήνετε το πετρέλαιο, γράσο ή άλλες ρυπαντικές ουσίες να έρθουν σε επαφή με τον αφυγραντήρα.

Κρατήστε τον Ηλεκτρολογικό Εξοπλισμό στεγνό: Ποτέ μην αφήνετε νερό μέσα σε ηλεκτρικά εξαρτήματα του αφυγραντήρα. Εάν αυτές οι περιοχές βραχούν, για οποιονδήποτε λόγο, να τα στεγνώσετε καλά πριν από τη χρήση. Σε περίπτωση αμφιβολίας, μη χρησιμοποιείτε τον αφυγραντήρα και συμβουλευτείτε έναν εξειδικευμένο ηλεκτρολόγο ή καλέστε στο 2521103265 στη Puredry Hellas για να μιλήσετε με εγκεκριμένο μηχανικό.

Οδηγίες καλωδίωσης: Εάν είναι απαραίτητο να αλλάξετε το βύσμα παρακαλούμε να σημειώσετε τα καλώδια τροφοδοσίας.

Θα πρέπει να βεβαιωθείτε ότι ο χρήστης γνωρίζει τις οδηγίες λειτουργίας του μηχανήματος.

2. ΓΕΝΙΚΕΣ ΟΔΗΓΙΕΣ

Πριν θέσετε τον αφυγραντήρα σε λειτουργία για πρώτη φορά, θα πρέπει να διαβάσετε προσεκτικά το εγχειρίδιο οδηγιών. Μετά την παραλαβή του προϊόντος, θα πρέπει να ελέγξετε τον αφυγραντήρα σας για οποιαδήποτε τυχόν ζημιά κατά τη μεταφορά. Σε περίπτωση βλάβης, θα πρέπει να ενημερώσετε αμέσως τον αποστολέα.

Ζημιές από τη μεταφορά, πρέπει να δηλώνονται πριν την λειτουργία του αφυγραντήρα. Θα πρέπει να επικοινωνήσετε αμέσως με το αντίστοιχο πωλητή.

Κρατήστε τη συσκευασία για τον αφυγραντήρα σε ασφαλές μέρος, ώστε να είναι σε θέση να τον αποστείλετε με ασφάλεια, εάν χρειάζεται service. Για να εξοικονομήσετε χώρο, μπορείτε απλά να κόψετε την κολλητική ταινία χρησιμοποιώντας ένα μαχαίρι και να διπλώστε το κουτί.



Απενεργοποιήστε τον αφυγραντήρα πριν τον βγάλετε από την πρίζα.

3. ΑΡΧΕΣ ΛΕΙΤΟΥΡΓΙΑΣ ΑΦΥΓΡΑΝΤΗΡΑ

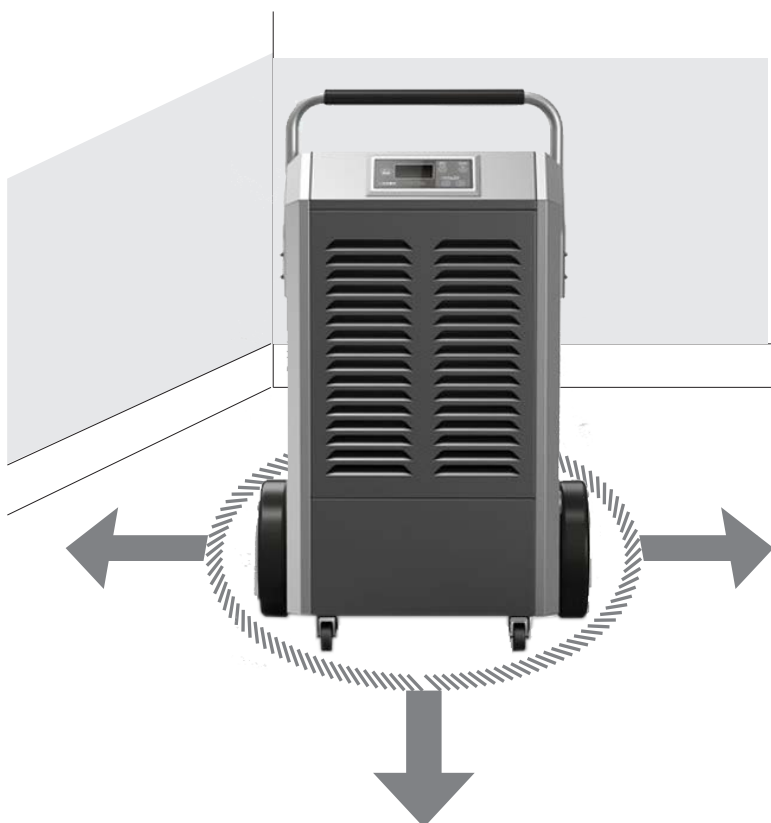
Αυτός ο αφυγραντήρας έχει σχεδιαστεί για να μειώνει την υγρασία από τον αέρα σε ένα κτίριο ή σε τμήμα ενός κτιρίου. Ο σκοπός είναι να αποτρέψει τις ζημιές από την υγρασία και να στεγνώσει υγρά υλικά όπως το χαλί, δάπεδα, τοίχους, τα έπιπλα, τα περιεχόμενα του κτηρίου, ξυλεία, και δομικά υλικά. Αυτός ο αφυγραντήρας μπορεί να αποτρέψει το σχηματισμό συμπύκνωσης, να μειώσει την υγρασία του αέρα και να κρατήσει σταθερή την επιθυμητή τιμή της σχετικής υγρασίας.

Ο χρόνος που απαιτείται για τον αφυγραντήρα να στεγνώσει ένα δωμάτιο και να φτάσει την επιθυμητή σχετική υγρασία εξαρτάται από τις περιβαλλοντικές συνθήκες που επικρατούν μέσα στο δωμάτιο. Για παράδειγμα, ο αριθμός αλλαγής του αέρα με τον εξωτερικό, οι πηγές της υγρασίας και η θερμοκρασία του δωματίου μπορεί είτε να επιταχύνει ή να επιβραδύνει τη διαδικασία της αφύγρανσης.

Η αρχή λειτουργίας του αφυγραντήρα, σύμφωνα με την αρχή της συμπύκνωσης γίνεται με ανάκτηση θερμότητας. Ο ανεμιστήρας παίρνει τον υγρό αέρα από το δωμάτιο δια μέσω ενός φίλτρου και τον οδηγεί στον εξατμιστή. Εδώ ο αέρας ψύχεται κάτω από το σημείο δρόσου, έτσι ώστε ο ατμός του νερού του αέρα σχηματίζει ένα συμπύκνωμα στα πηνία που ρέει μέσα στο δοχείο συλλογής νερού. Αφού ψύχεται και ξηραίνεται ο αέρας θερμαίνεται και πάλι από έναν συμπυκνωτή. Με την ανακύκλωση του αέρα του δωματίου μέσω του αφυγραντήρα ξανά και ξανά το ποσοστό σχετικής υγρασίας του αέρα μειώνεται.



Συμβουλές εγκατάστασης



- 1) Μην φράζετε και μην εμποδίζετε την κυκλοφορία του αέρα γύρω από τον αφυγραντήρα. Βεβαιωθείτε ότι η είσοδος και η έξοδος του αέρα πραγματοποιείται αβίαστα και εξασφαλίστε 20cm ελεύθερου χώρου περιμετρικά της συσκευής.
- 2) Τοποθετήστε τη μονάδα σε μια περιοχή όπου τα επίπεδα θερμοκρασίας δεν θα πέσουν κάτω από 5°C (41°F). Υπάρχει μια πιθανότητα τα πηνία να συλλέγουν πάγο σε θερμοκρασίες κάτω από 5°C (41°F), οι οποίες μπορεί να έχουν σαν αποτέλεσμα πτώση στην απόδοση.

Για την εγκατάσταση και τη μεταφορά, πρέπει να τηρηθούν οι ακόλουθες οδηγίες:

- ⇒ Η είσοδος και η έξοδος του αέρα δεν πρέπει να καλύπτονται, ενώ ο αφυγραντήρας είναι σε λειτουργία.
 - ⇒ Πριν από οποιαδήποτε μετακίνηση του αφυγραντήρα, το προϊόν πρέπει να είναι απενεργοποιημένο.
 - ⇒ Για τη μεταφορά ο αφυγραντήρας θα πρέπει να είναι τοποθετημένος σε επίπεδη βάση.
 - ⇒ Αδειάστε το δοχείο συλλογής νερού αν υπάρχει. Ο αφυγραντήρας πρέπει πάντοτε να μεταφέρεται κατακόρυφα.
 - ⇒ Αν ο αφυγραντήρας είναι σε οριζόντια θέση για πάνω από 10 λεπτά, θα πρέπει να τον αφήσετε να σταθεί σε όρθια θέση για τουλάχιστον 30 λεπτά πριν από τη λειτουργία.
- Ο αφυγραντήρας θα πρέπει πάντα να είναι σε λεία και επίπεδη επιφάνεια.

5. ΧΑΡΑΚΤΗΡΙΣΤΙΚΑ ΑΦΥΓΡΑΝΤΗΡΑ

Μοντέλο		PD 130LA
Θερμοκρασία Λειτουργίας		+5 °C / +35°C
Επίπεδα Υγρασίας		20% - 90%
Υλικό Απόψυξης		Hot gas
Ρεύμα		240 V~50 Hz
Κατανάλωση 30°C - 80%		1.79 kW
Ψυκτικό Υγρό		R410a/800g
Απόδοση (L/24H)	20°C - 60%	68
	27°C - 80%	92
	30°C - 80%	130
Διαστάσεις	M x Π x Υ [mm]	672 x 533 x 988
Βάρος		73kg
Χρονοδιακόπτης		✓
Ηλεκτρονικός Πίνακας		✓

ΗΛΕΚΤΡΙΚΕΣ ΣΥΝΔΕΣΕΙΣ

Ο αφυγραντήρας έχει σχεδιαστεί για να λειτουργεί σε 230V ~ 50Hz ηλεκτρική εγκατάσταση. Βεβαιωθείτε ότι οι ηλεκτρικές πρίζες είναι γειωμένες και ότι έχουν ληφθεί όλες οι προφυλάξεις ασφαλείας.

ΑΥΤΟΜΑΤΗ ΠΡΟΣΤΑΣΙΑ ΣΥΜΠΙΕΣΤΗ

Κατά την πρώτη εκκίνηση του αφυγραντήρα ο συμπιεστής εκκινεί αμέσως. Μετά την πρώτη παύση λειτουργίας της μονάδας ο συμπιεστής θα χρειαστεί τουλάχιστον 3 λεπτά παύσης λόγω του συστήματος αυτοπροστασίας που φέρει, για την αποφυγή συχνών επανεκκινήσεων.

ΑΥΤΟΜΑΤΗ ΕΠΑΝΕΚΚΙΝΗΣΗ

Το σύστημα διαθέτει αυτόματη μνήμη. Όταν ολοκληρωθεί η ρύθμιση όλων των προγραμμάτων εάν υπάρξει ξαφνική διακοπή ρεύματος κατά τη διάρκεια της λειτουργίας ή κατά λάθος η πρίζα βγει, το σύστημα μπορεί να αποθηκεύσει την τρέχουσα κατάσταση πριν διακοπεί η τροφοδοσία και να τεθεί στο πρόγραμμα λειτουργίας που βρισκόταν πριν την διακοπή.

ΣΥΝΘΗΚΕΣ ΛΕΙΤΟΥΡΓΙΑΣ

Αυτός ο αφυγραντήρας μπορεί να λειτουργεί μέσα σε ένα εύρος θερμοκρασίας περιβάλλοντος από 3 έως + 35 ° C και με μία σχετική υγρασία από 35% έως 90%. Είναι κατάλληλο για εφαρμογή σε εργοτάξια, κτίρια κατοικιών, μουσεία, γκαράζ και αποθήκες.

6. ΓΝΩΡΙΖΟΝΤΑΣ ΤΟΝ ΑΦΥΓΡΑΝΤΗΡΑ



Ρόδες Μεταφοράς
Το προϊόν έχει
εγκατεστημένες δύο
μεγάλες ρόδες και δύο
ροδάκια μεταφοράς.

Εσωτερικό



Πίνακας ελέγχου

Βεβαιωθείτε ότι
έχετε αφαιρέσει
την προστατευτική
ζελατίνα από το
πάνω μέρος της
οθόνης.

Χειρολαβή

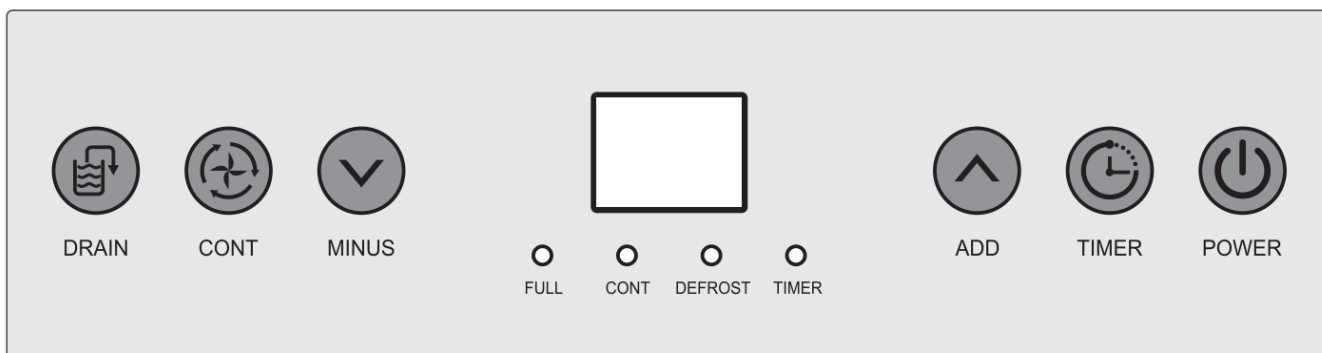
έξοδος Αέρα

Είσοδος Αέρα

Είσοδος μόνιμης
αποχέτευσης



7. ΗΛΕΚΤΡΟΝΙΚΟΣ ΠΙΝΑΚΑΣ ΕΛΕΓΧΟΥ



ΠΕΡΙΓΡΑΦΗ



POWER

ΚΟΥΜΠΙ ON-OFF

Αφού συνδέσετε την μοναδα στο ρεύμα πιέστε αυτό το κουμπί. Η οθόνη θα ανάψει και η μονάδα αυτόματα θα μπει στο πρόγραμμα συνεχούς λειτουργίας δείχνοντας την υγρασία του περιβάλλοντος. Αφού ο ανεμιστήρας ξεκινήσει μετά από 3 δευτερόλεπτα ξεκινά και ο συμπιεστής. Πιέζοντας ξανά αυτό το κουμπί ο συμπιεστής σταματά, στην οθόνη εμφανίζεται το σύμφολο "- -" και η μονάδα μπαίνει σε πρόγραμμα αναμονής. Ο ανεμιστήρας συνεχίζει να λειτουργεί για ένα ακόμα λεπτό και μετά σταματά.



TIMER

ΚΟΥΜΠΙ ΧΡΟΝΟΔΙΑΚΟΠΤΗ

Πιέστε αυτό το κουμπί για να ρυθμίσετε τον χρόνο εκκίνησης της μονάδας. Ρυθμίστε τον χρόνο εκκίνησης πιέζοντας τα κουμπιά "MINUS" και "ADD". Εν ώρα λειτουργίας της μονάδας πιέστε ξανά το κουμπί για να ρυθμίσετε σε πόση ώρα θα σταματήσει η μονάδα να λειτουργεί. Όταν ο χρόνος τελειώσει ο ανεμιστήρας και ο συμπιεστής σταματήσουν να λειτουργούν. Πιέζοντας για 3 δευτερόλεπτα αυτό το κουμπί μας δείχνει την θερμοκρασία. Μετά από 10 δευτερόλεπτα θα μας δείξει την υγρασία.



ADD

ΚΟΥΜΠΙ ΡΥΘΜΙΣΗΣ

Πιέστε αυτό το κουμπί για να αυξήσετε την υγρασία ανά 5%. Πιέζοντας αυτό το κουμπί για 1 δευτερόλεπτο αυξάνετε την υγρασία συνεχόμενα.



MINUS

ΚΟΥΜΠΙ ΡΥΘΜΙΣΗΣ

Πιέστε αυτό το κουμπί για να μειώσετε την υγρασία ανά 5%. Πιέζοντας αυτό το κουμπί για 1 δευτερόλεπτο μειώνεται την υγρασία συνεχόμενα.

ΣΗΜΕΙΩΣΗ

Η προκαθορισμένη υγρασία είναι 50% έχουμε την δυνατότητα να την αυξήσουμε ή να την μειώσουμε ανά 5% όπως:

20%-25%-30%-35%-40%-45%-50%-55%-60%-65%-70%-75%-80%-85%-90%

2) Η υγρασία περιβάλλοντος σε συνδυασμό με την υγρασία που έχουμε ορίσει στην μονάδα καθορίζουν την κατάσταση λειτουργίας του συμπιεστή και του ανεμιστήρα όπως παρακάτω:

Περιβαλλοντική Υγρασία \geq Υγρασία που ορίσαμε +3%, ο συμπιεστής και ο ανεμιστήρας ξεκινάνε.

Περιβαλλοντική Υγρασία $<$ Υγρασία που ορίσαμε -3%, ο συμπιεστής και ο ανεμιστήρας σταματάνε.



CONT

ΚΟΥΜΠΙ ΣΥΝΕΧΟΥΣ ΛΕΙΤΟΥΡΓΙΑΣ

Κατά την διάρκεια της συνεχούς λειτουργίας δεν μπορούμε να ρυθμίσουμε την υγρασία. Το κουμπί της συνεχούς λειτουργίας είναι αναμμένο και η οθόνη δείχνει την υπάρχουσα υγρασία. Πιέστε αυτό το κουμπί για να αλλάξετε στο κανονικό πρόγραμμα όπου είναι διαθέσιμη η ρύθμιση της υγρασίας.



DRAIN

ΚΟΥΜΠΙ ΑΠΟΣΤΡΑΓΓΙΣΗΣ

Πιέστε αυτό το κουμπί και η αντλία θα ξεκινήσει την αποστράγγιση του συστήματος με το λαμπάκι του κουμπιού να έχει ανάψει. Αφού το σύστημα δουλέψει για 30 δευτερόλεπτα, η αντλία θα σταματήσει και το λαμπάκι θα σβήσει.

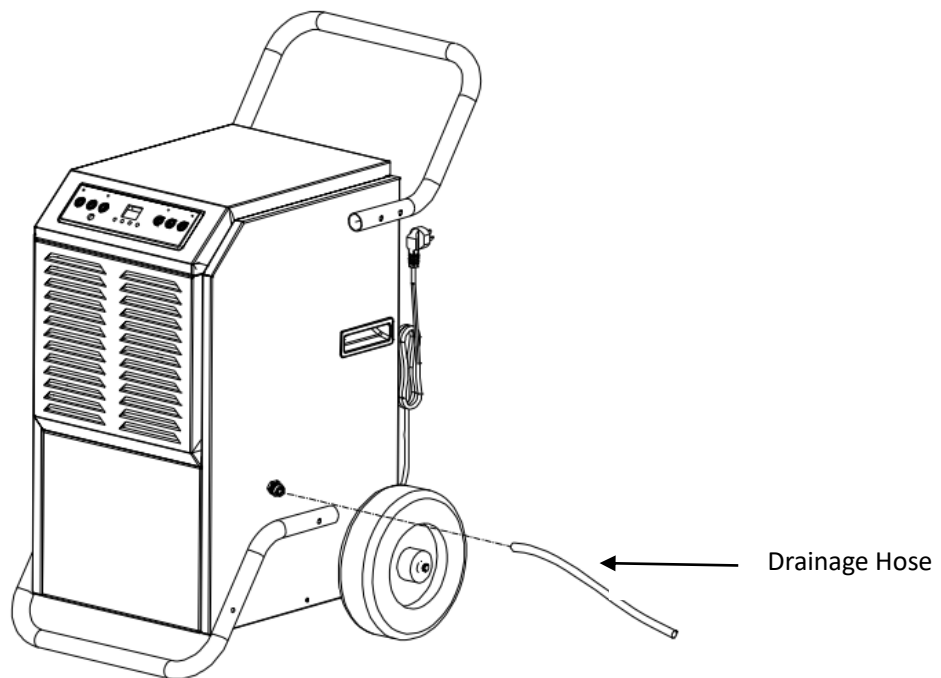
ΕΚΚΙΝΗΣΗ ΑΦΥΓΡΑΝΤΗΡΑ

1. Τοποθετήστε το μηχάνημα στη πρίζα και θα ακουστεί ο ήχος "μπιπ".
2. Πατήστε το κουμπί "Power" μία φορά και η οθόνη LCD θα ανοίξει. Όταν όλες οι ενδείξεις είναι φυσιολογικές, θα εμφανιστεί στην οθόνη η υγρασία του χώρου.
3. Ρύθμιση της υγρασίας. Πατήστε το κουμπί "ADD" και "MINUS" για να επιλέξετε την επιθυμητή υγρασία του χώρου. Όταν το ποσοστό σχετικής υγρασίας του χώρου είναι 3% χαμηλότερα από την τιμή ρύθμισης, ο αφυγραντήρας σταματά την λειτουργία του. Όταν το ποσοστό σχετικής υγρασίας του χώρου είναι μεγαλύτερο κατά 3% από την τιμή ρύθμισης ο αφυγραντήρας ξεκινά την λειτουργία του.
4. Όταν τα επίπεδα σχετικής υγρασίας που επιλέγουμε είναι μικρότερα από 30%RH ο αφυγραντήρας ξεκινά την συνεχή αφύγρανση.
5. Ρύθμιση προκαθορισμένου χρόνου: Πατήστε το κουμπί "Timer" και το κουμπί θα ανάψει στον πίνακα ελέγχου, πατήστε το "ADD" και "MINUS" για να ρυθμίσετε το χρόνο λειτουργίας.
6. Απενεργοποίηση : Πατήστε το κουμπί "Power" καθώς το μηχάνημα λειτουργεί. Ο αφυγραντήρας θα σταματήσει την λειτουργία του και όλες οι φωτεινές ενδείξεις θα σβήσουν.

ΕΞΑΓΩΓΗ ΣΥΜΠΥΚΝΩΜΑΤΩΝ

Αντλία λυμάτων

- Εγκαταστήστε τον σωλήνα αποστράγγισης που περιέχεται στο ακροφύσιο αποστράγγισης και τοποθετήστε τον σωλήνα εκεί που θέλετε πριν βάλετε σε λειτουργία την μονάδα.
- Η αντλία έχει τη δυνατότητα να απομακρύνει τα λύματα σε ύψος έως 5m και σε οριζόντιο μήκος έως 30m.

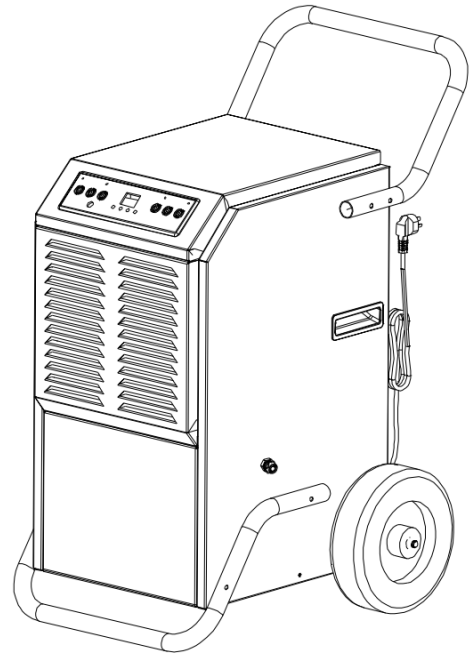


ΣΥΝΕΧΗΣ ΑΠΟΣΤΡΑΓΓΙΣΗ

1. Συνδέστε την σωλήνα αποχέτευσης στην υποδοχή στο πλάι του αφυγραντήρα. Βάλτε την άλλη μεριά του σωλήνα στην αποχέτευση. Ο αφυγραντήρας θα κάνει αυτόματα την αποστράγγιση όποτε χρειάζεται.
2. Αν η αποχέτευση βρίσκεται σε υψηλότερο σημείο από την έξοδο απορροής του αφυγραντήρα, θα πρέπει να μη ξεπερνά σε ύψος τα 5m. Αν το νερό αποχετεύεται προς τα κάτω, τότε δεν υπάρχει όριο απόστασης. Η διάμετρος του σωλήνα νερού είναι 12mm.
3. Πιέστε και κρατήστε το κουμπί DRAIN για να πραγματοποιήσετε αποστράγγιση χειροκίνητα. Η αντλία νερού θα δουλέψει για 20 δευτερόλεπτα πριν σταματήσει. Επαναλάβετε την διαδικασία μέχρι όλο το νερό να αποχετευτεί. Αποχετεύστε το νερό χειροκίνητα πριν από την αποθήκευση ή μετακίνηση της μονάδας.

Δεξαμενή Νερού

Όταν η δεξαμενή νερού γεμίσει, η ένδειξη της δεξαμενής νερού ανάβει κόκκινη και ενεργοποιείται ο συνεγερμός μετά από 5 δευτερόλεπτα. Ένας ήχος "Μπιπ" ακούγεται 15 φορές και στη συνέχεια ο συμπιεστής και ο ανεμιστήρας σταματούν. Αφού η δεξαμενή του νερού αδειάσει, η μονάδα αυτόματα θα επανέλθει στο πρόγραμμα που λειτουργούσε ενώ ο συμπιεστής θα βρίσκεται για 3 λεπτά σε αυτοπροστασία. Ο συναγέρμος θα σταματήσει σε 3 λεπτά αφού η δεξαμενή νερού έχει αδειάσει. Ο ανεμιστήρας ξεκινάει και ο συμπιεστής μετά από 3 λεπτά.



ΑΥΤΟΜΑΤΟ ΣΥΣΤΗΜΑ ΑΠΟΨΥΞΗΣ

Κατά την κανονική λειτουργία αφύγρανσης, μπορεί να σχηματιστεί πάγος στον εξατμιστή. Αυτός ο αφυγραντήρας είναι εξοπλισμένος με ένα αυτόματο σύστημα απόψυξης θερμού αερίου και όταν ανιχνεύεται πάγος από τον αισθητήρα θερμοκρασίας, θα ξεπαγώσει αυτόματα σύμφωνα με την ακόλουθη αρχή:

1) Ο συμπιεστής και ο ανεμιστήρας θα σβήσουν όταν η θερμοκρασία περιβάλλοντος πέσει κάτω από 5°C ή πάνω από 38°C.

2) Απαιτήσεις απόψυξης: Ο συμπιεστής λειτουργεί για 30 λεπτά, ο αισθητήρας θερμοκρασίας αισθάνεται τη θερμοκρασία -1°C, (διαρκεί για 10 δευτερόλεπτα), σταματάει ο συμπιεστής, αρχίζει η απόψυξη, ο ανεμιστήρας συνεχίζει, η λυχνία DEFROST ανάβει. Όταν η θερμοκρασία του σωλήνα φτάσει στους 5°C ή η απόψυξη διαρκέσει για 15 λεπτά, η απόψυξη σταματά.

ΣΗΜΕΙΩΣΗ: Κατά την διάρκεια της απόψυξης, η λυχνία δεν θα σβήσει μέχρι η απόψυξη να έχει τελειώσει.

8. ΣΥΝΤΗΡΗΣΗ & ΦΡΟΝΤΙΔΑ

Προτού προβείτε στη συντήρηση ή τον καθαρισμό του αφυγραντήρα, βεβαιωθείτε ότι έχετε απενεργοποιήσει και αποσυνδέσει τη συσκευή από το ρεύμα.

Ελέγξτε το καλώδιο τροφοδοσίας ρεύματος

Βεβαιωθείτε ότι δεν έχει υποστεί ζημιά το καλώδιο.

Προστασία από σκόνη

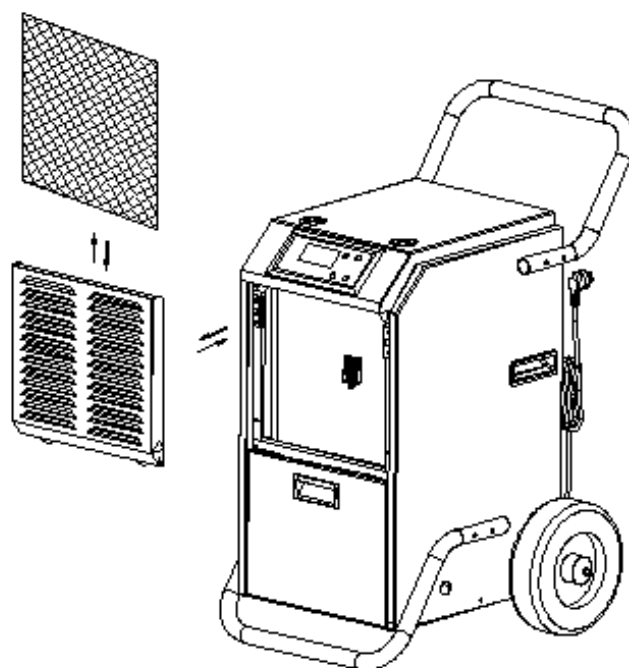
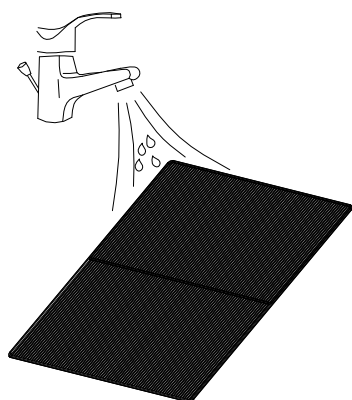
Απομακρύνετε την σκόνη από τον αφυγραντήρα.

Συντήρηση φίλτρων αέρα

Το φίλτρο αέρα θα πρέπει να καθαρίζεται περίπου κάθε 5 ημέρες. Ανοίξτε το εμπρός πάνω καπάκι, τραβώντας το απο πάνω προς τα έξω. Τραβήξτε το φίλτρο προς τα πάνω.

Καθαρισμός φίλτρου

1. Βγάλτε το φίλτρο
2. Καθαρίστε το
3. Τοποθετήστε το στην αρχική του θέση.



Μην χρησιμοποιείτε τον αφυγραντήρα χωρίς το φίλτρο αέρα.

Καθαρίστε το φίλτρο αφαιρώντας την σκόνη με μια ηλεκτρική σκούπα, πλύντε το με άφθονο νερό και στεγνώστε το καλά πριν το τοποθετήσετε στην θέση του.

9. Αντιμετώπιση προβλημάτων & Συχνές ερωτήσεις

Πρόβλημα	Αιτία	Λύση
Η μονάδα δεν λειτουργεί	Δεν υπάρχει τάση στη μονάδα	Τοποθετήστε το φινι στην πρίζα
	Ο διακόπτης on είναι απενεργοποιημένος	Βάλτε τον διακόπτη στη θέση on
	Το δοχείο νερού είναι γεμάτο	Αδειάστε το δοχείο συλλογής νερού
Δεν είναι δυνατή η αφύγρανση	Η θερμοκρασία περιβάλλοντος είναι χαμηλότερη από +5°C	Υπό αυτές τις συνθήκες ο αφυγραντήρας καθίσταται αναποτελεσματικός. Συνιστάται η απενεργοποίηση του αφυγραντήρα
	Η θερμοκρασία περιβάλλοντος υπερβαίνει τους 35°C	Ο συμπιεστής είναι υπερφορτωμένος και απενεργοποιείται αυτόματα. Συνιστάται να απενεργοποιήσετε τον αφυγραντήρα.
	Η υγρασία του αέρα περιβάλλοντος είναι χαμηλότερη από 20 %	Υπό αυτές τις συνθήκες ο αφυγραντήρας καθίσταται αναποτελεσματικός. Συνιστάται να απενεργοποιήσετε τον αφυγραντήρα
	Το φίλτρο αέρα είναι πολύ λερωμένο	Καθαρίστε το φίλτρο αέρα
	Δεν είναι αρκετός ο χρόνος για να στεγνώσει	Αφήστε περισσότερο χρόνο
Ο συμπιεστής δεν ξεκινά	Η θερμοπροστασία είναι ελαττωματική	Επικοινωνήστε με τη Puredry Hellas
	Ο πυκνωτής είναι ελαττωματικός	Επικοινωνήστε με τη Puredry Hellas
Ο ανεμιστήρας είναι εκτός λειτουργίας	Ο αφυγραντήρας εκτελεί έναν κύκλο απόψυξης	Ο αφυγραντήρας θα ενεργοποιήσει τον ανεμιστήρα αυτόματα μετά από μερικά λεπτά. Αν όχι, η βλάβη πρέπει να επισκευαστεί από τη Puredry Hellas
	Ο ανεμιστήρας δεν λειτουργεί	Επικοινωνήστε με τη Puredry Hellas
Η μονάδα είναι συνεχώς σε απόψυξη και υπάρχει ένα μπλοκ πάγου στην ψύκτρα	Ελαττωματικό σύστημα ελέγχου	Επικοινωνήστε με τη Puredry Hellas
	Η θερμοκρασία του χώρου είναι κάτω από +5°C	Η μονάδα είναι σχεδιασμένη να δουλεύει πάνω από τους +5°C.
	Ελαττωματική βαλβίδα ρελέ παράκαμψης	Επικοινωνήστε με τη Puredry Hellas
Η μονάδα δεν ξεπαγώνει	Ελαττωματικός αισθητήρας θερμοκρασίας	Επικοινωνήστε με τη Puredry Hellas
	Ελαττωματικό σύστημα ελέγχου	Επικοινωνήστε με τη Puredry Hellas
Ο χρονοδιακόπτης δεν λειτουργεί	Δεν είναι ενεργοποιημένο	Επικοινωνήστε με τη Puredry Hellas
	Γεμάτη δεξαμενή συλλογής νερού	Η δεξαμενή συλλογής νερού πρέπει να αδειάσει και να τοποθετηθεί εκ νέου.
	Ελαττωματικός μετρητής χρόνου	Επικοινωνήστε με τη Puredry Hellas

PROBLEM	
E1	Temperature sensor
E2	Humidity sensor
CL	When the room temp < 5°C, it will show "CL", machine stops running.
CH	When the room temp > 38°C, it will show "CH", machine stops running.
LO	When the room humidity < 20%RH, it will show "LO", machine stops running.
HI	When the room humidity ≥ 95%RH, it will show "HI", machine is working normally.

Puredry Hellas EE

Τηλέφωνα επικοινωνίας: 25211 03265, 25210 55992, 69816 65010

Mail: info@puredryhellas.com, service@puredryhellas.com

10. ΟΡΟΙ ΕΓΓΥΗΣΗΣ

Καλύπτει όλα τα προϊόντα που έχουν αγοραστεί από την εταιρία Puredry Hellas ΕΕ ή οποιονδήποτε επίσημο μεταπωλητή της στην Ελλάδα.

Η εγγύηση καλύπτει την επισκευή ή την αντικατάσταση (ανταλλακτικά και εργατικά) των εξαρτημάτων που ο Κατασκευαστής ή ο Αντιπρόσωπός του αναγνώρισε ως ελαττωματικά, με τη διευκρίνιση ότι αυτή η επισκευή ή αντικατάσταση μπορεί να γίνει με καινούργια ανταλλακτικά, καινούργια εξαρτήματα ή εξαρτήματα ανακατασκευής ύστερα από εκτίμηση του Κατασκευαστή. Το κόστος των μεταφορικών δεν καλύπτεται από την εγγύηση.

Η εγγύηση καθ' όλη την διάρκεια ισχύος της καλύπτει το κόστος προμήθειας οποιουδήποτε ελαττωματικού ανταλλακτικού καθώς και το κόστος εργασίας αποκατάστασης λειτουργίας του προϊόντος. Διευκρινίζεται ότι η εγγύηση δεν εκτείνεται επ' ουδενί σε υποχρέωση αντικατάστασης της συσκευής ή επιστροφής χρημάτων.

Για την ορθή, αποδοτική και ασφαλή λειτουργία των ηλεκτρικών συσκευών συνιστάται ως καλή πρακτική ο καθαρισμός και η συντήρησή τους σε τακτά χρονικά διαστήματα ανάλογα και με την χρήση τους από εξειδικευμένους και πιστοποιημένους τεχνικούς.

Δεν καλύπτει:

- Τυχαία βλάβη, δολιοφθορά, ελαττώματα που προκαλούνται λόγω φυσιολογικής φθοράς, συμπεριλαμβανομένης της φθοράς των αναλώσιμων μερών, δηλαδή των μερών που απαιτούν περιοδική αντικατάσταση κατά τη φυσιολογική χρήση του συστήματος.
- Σπασίματα, σχισίματα, γρατσουνιές, βαθουλώματα, χαραγμένα ή αποχρωματισμένα καλύμματα ή πλαστικά μέρη, σπασμένα πλαστικά τμήματα στις θύρες ή άλλη αισθητική βλάβη. Βλάβη που προκαλείται από τη χρήση σε συνδυασμό με άλλο προϊόν.
- Χρήση του Συστήματος διαφορετική από την προβλεπόμενη, συμπεριλαμβανομένης, ενδεικτικά, της μη χρήσης του Συστήματος σύμφωνα με το εγχειρίδιο χρήσης που το συνοδεύει.
- Βλάβη που προκαλείται από ατύχημα, κατάχρηση, εσφαλμένη χρήση, επαφή με υγρό, πυρκαγιά, σεισμό, εσφαλμένη ή ανεπαρκή συντήρηση ή βαθμονόμηση, αμέλεια ή άλλες εξωτερικές αιτίες.
- Βλάβες που προκαλούνται από σύνδεση σε τάση διαφορετική από την αναγραφόμενη στην πινακίδα της συσκευής ή/και σε μη γειωμένο ρευματοδότη (πρίζα).
- Μεταφορικά έξοδα που προκύπτουν από την μεταφορά του προϊόντος από και προς τον πελάτη στις εγκαταστάσεις της εταιρίας Puredry ή εξουσιοδοτημένου συνεργάτη της.
- Ζημίες ή/και βλάβες από το περιβάλλον που προκαλούνται από καπνό, σκόνη, βρωμιά, αιθάλη ή άλλους εξωτερικούς παράγοντες. Βλάβες που προκύπτουν από εσφαλμένη μεταφορά ή συσκευασία κατά την επιστροφή του Συστήματος στην Αντιπροσωπία ή σε κάποιο εξουσιοδοτημένο κέντρο.

- Βλάβες που προκλήθηκαν από σέρβις ή επισκευές ή άλλες τροποποιήσεις του Συστήματος που δεν εκτελέστηκαν από την Αντιπροσωπία ή κάποιο εξουσιοδοτημένο κέντρο.

- Βλάβες που προκλήθηκαν από επισκευές ή αλλαγές μερών που δεν πρέπει να γίνονται από τον πελάτη, τις οποίες πραγματοποιήσατε εσείς.

Η Puredry διατηρεί το δικαίωμα να καθορίζει τον τρόπο, τόπο και χρόνο επισκευής των βλαβών κατά την απόλυτη κρίση της, ανάλογα με τα ειδικά χαρακτηριστικά κάθε περίπτωσης. Τα μέσα και τα έξοδα μεταφοράς από και προς τα σημεία τεχνικής υποστήριξης της Puredry, καθώς και η ενδεχόμενη ασφάλιση των προϊόντων, είναι επιλογή και ευθύνη του πελάτη. Τα προϊόντα ταξιδεύουν με ευθύνη του πελάτη, καμία ευθύνη δεν φέρει η Εταιρία Puredry Hellas EE για τυχόν ζημιές προκληθούν κατά την μεταφορά.

Προϊόντα που παραμένουν επισκευασμένα στα service των καταστημάτων πέραν των δεκαπέντε (15) ημερολογιακών ημερών από την ενημέρωση του πελάτη, προκειμένου αυτός να τα παραλάβει, θα επιβαρύνονται με έξοδα αποθήκευσης.

Υποβολή Εγγύησης

- Επισκεφθείτε τη σελίδα μας και ενεργοποιήστε την εγγύησή σας μέσω του παρακάτω link.

<https://www.puredryhellas.com/egguseis>

- Συμπληρώστε όλα τα πεδία όπως φαίνονται παρακάτω

Εγγύηση

Τα πεδία που είναι επισημασμένα με * είναι υποχρεωτικά

Για να ενεργοποιήσετε την εγγύηση, παρακαλούμε συμπληρώστε τα παρακάτω πεδία:

Στοιχεία ιδιοκτήτη

Όνομα *

Επώνυμο *

Διεύθυνση *

Ταχ. Κώδ. *

Email *

Αριθμός τηλεφώνου *

Θα χρησιμοποιούμε το email σας για να σας αποστέλλουμε newsletter, προκειμένου να σας ενημερώνουμε για νέα προϊόντα, υπηρεσίες, προσφορές, κλπ.

Στοιχεία μηχανήματος

Επιλέξτε Συσσκευή *

Σειριακός Αριθμός *

Ημερομηνία *

Αριθμός παραστατικού *

Κάνοντας κλικ εδώ αποδέχεστε τους όρους χρήσης της Εγγύησης της συσκευής. *

Στοιχεία εμπόρου

Επωνυμία *

Α.Φ.Μ. *

Υποβολή



Μόλις υποβάλετε την αίτηση, θα σταλεί στο email σας μήνυμα επιβεβαίωσης.